



R2-2

World standard originally patented by Sakai in 1970s
Static Three Wheel Roller

Versatile static three wheel roller for various types of paving compaction jobs

Best compaction quality and efficiency

- Equal static linear pressure across all drums provides uniform compaction.
- Articulated center-point steering.
- The all-drum hydrostatic drive with the largest diameter drums leaves a smooth finish and minimizes pushing and shoving of hot mix asphalt (HMA) mat.
- Applicable to thin HMA layers such as SMA and OGFC where vibratory compaction is not allowed.

High safety standards

- 1 m × 1 m visibility.
- Emergency brake pedal is standard.

Easy Maintenance

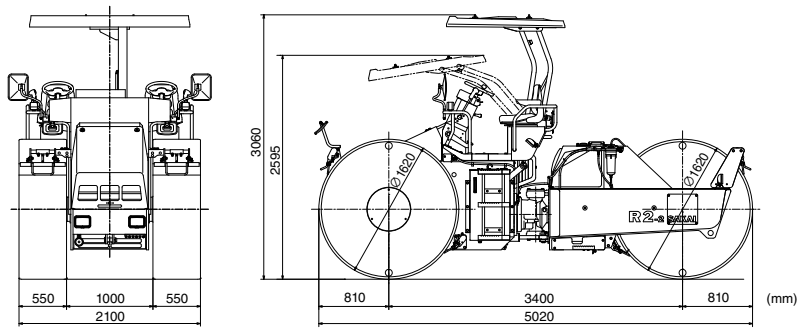
- Easy access to engine, hydraulics, devices, filters, etc. from ground.
- Sprinkler system with anti-clog package, i.e., a plastic water tank, triple-protection filtration, etc., and with perfect draining winterization.
- Direct access to spray nozzles from operators station.
- Rugged articulated center-pin joint.
- KUBOTA V3307 engine features OHV4 valve and Turbo that maintains output even at high elevations.



If you need any technical or service parts support on our products, please contact this web page.

www.sakainet.co.jp/en/

R2-2 R2-2K Series



TYPE		Static Three Wheel Roller	
MODEL		R2-2	R2-2K
CHASSIS MODEL		1R5	1R6
WEIGHTS	Operating weight (with AWNING)	kg (lb)	9,980 (22,005)
	Empty weight (with AWNING)	kg (lb)	9,300 (20,500)
	Load on front axle (operating weight) (with AWNING)	kg (lb)	4,880 (10,760)
	Load on rear axle (operating weight) (with AWNING)	kg (lb)	5,100 (11,245)
PERFORMANCE	Static linear pressure for front roll (operating weight) (with AWNING)	N/cm (lb/in)	435 (248)
	Static linear pressure for rear roll (operating weight) (with AWNING)	N/cm (lb/in)	455 (260)
	No. of speeds		2
	Speed range (L / H)	km / h (mph)	0 - 8 / 0 - 16 (0 - 5.0 / 0 - 9.9)
	Gradability	% (°)	47 (25)
DIMENSIONS	Min. turn radius (outer)	m (in)	6.3 (248)
	Overall length	mm (in)	5,020 (198)
	Overall width	mm (in)	2,100 (83)
	Overall height (with AWNING)	mm (in)	3,060 (120)
	Wheelbase	mm (in)	3,400 (134)
	Compaction width	mm (in)	2,100 (83)
	Drum diameter / Drum width / Number of Rolls	mm (in)	front : 1,620 (64) / 550 (22) / 2 rear : 1,620 (64) / 1,100 (43) / 1
	Ground clearance	mm (in)	340 (13.5)
	Curb clearance	mm (in)	∞
	Side clearance	mm (in)	0
	ENGINE	Make	KUBOTA
Model		V3307 - DI - T - KDN (Interim Tier4)	V3307 - DI - T - E2B - RRS11
Type		Diesel, Water-cooled, 4cycle, 4cylinder with turbo charger	
Displacement		L (cu.in)	3.331 (203)
Rated output		kW (HP)/min ⁻¹	55.4 (74) / 2,200
Electric system battery		V (VAh× Qty)	12 (12 / 72 × 1)
Electric system alternator		V/A	12 / 80
POWER LINE	Transmission	Hydrostatic transmission	
	Type	Hydraulic	
	Drive wheel	All wheel	
BRAKE SYSTEM	Service (emergency)	Hydrostatic + SAHR / Brake Pedal	
	Parking	Spring-applied, hydraulically released type (SAHR) / Panel Button	
	Working (nominal)	Hydrostatic dynamic brake through drive system / F&R Lever	
STEERING SYSTEM	Type	Hydraulic type (Articulated)	
	Articulation / Oscillation (+/-)	°	36 / 5.3
FLUID CAPACITY	Fuel tank	L (gal)	100 (26)
	Hydraulic tank	L (gal)	85 (22.5)
	Sprinkler tank	L (gal)	680(180)

- Operating Weight : 100% Fuel, 100% Water, No Operator.
- Specifications are subject change without notice.
- All units are SI units. Inside of () is for reference units.
- Above specified numbers could be deviated within ±5%.

- ※ Engine meets EPA standards for R2-2 series.
- ※ Using low quality fuel may cause engine failure.

SKI SAKAI HEAVY INDUSTRIES, LTD.
 HEAD OFFICE: 1-4-8, SHIBA DAIMON, MINATO-KU, TOKYO JAPAN
 TELEPHONE: +81-3-3431-9971
 FACSIMILE: +81-3-3436-6212

Standard Equipment :

- Instrument ● Gauges ● Scrapers for both directions ● Back up alarm ● Horn
- AWNING ● Sliding seat ● Head light ● Working light ● Turn signal lamp
- Mirrors ● Pressurized water sprinkler system ● Intermittent water spray timer

Optional Equipment :

- Rotary lamp ● 4 points lifting ● Seatbelt