

HYDRAULIC EXCAVATORS



JOHN DEERE

E210 / E210LC / E230LC / E240 / E240LC / E260LC



**PERFORMANCE
AND PRECISION**



**MAKE IT
HAPPEN.**



DEERE



RELIABLE

+



PRODUCTIVE



MORE WAYS TO GET MORE DONE.

Whether you are excavating footings, setting stone, placing pipe, or loading trucks, John Deere E210, E210LC, E230LC, E240, E240LC, and E260LC Excavators deliver the exceptional performance and precise control you need — at a price you can appreciate. Intelligent Hydraulic (JD-IHC) system is fully integrated with the Deere PowerTech™ Plus engine to provide fast, smooth response. Expanded bucket options help improve cycle times, while additional auxiliary hydraulic lines allow you to run a wide variety of attachments. And with a new cab interior featuring automotive-quality styling, a new touch-screen monitor, and intuitive ergonomic controls, the E210, E210LC, E230LC, E240, E240LC, and E260LC help make your job easier. These midsize excavators were redesigned to offer you more ways to improve productivity and efficiency.

DEPENDABLE QUALITY, *TRUSTED AROUND THE WORLD.*

Our excavators are known worldwide for their outstanding quality and reliability – and the E210, E210LC, E230LC, E240, E240LC, and E260LC are no exception. Designed to meet demanding customer standards, they are built using state-of-the-art tools and techniques by a quality-conscious workforce in a John Deere manufacturing plant. These excavators deliver everything you've come to expect from John Deere. And more.

Dependable undercarriage

Sealed and lubricated undercarriage and heavy-duty welded X-frame provide a solid, stable platform. Sloped track frame resists material buildup to decrease cleaning time.

Keep your cool

Heavy-duty cooling system keeps the engine and hydraulic system running efficiently, even in tough environments.

Designed for durability

Rigid side shields and sheet metal resist dents. Steel ribs help safeguard the arm when curling the bucket, and steel collars protect vulnerable grease points in tough environments.

For the long haul

Optional heavy-duty arm and boom are durably built, for long life even in severe applications.

Reliable electrical and hydraulic systems

Solid-state electronics and uncomplicated system architecture minimise the number of wires, mechanical relays, and electrical connectors needed. Streamlined routing for hydraulic hoses boosts reliability while easing repairs.



TOUGH
BOOMS AND ARMS



STANDOUT FEATURE

A Deere excavator is shown in a construction setting, dumping a load of soil from its yellow bucket. The excavator is blue and yellow, with the word "DEERE" visible on its arm. The scene is set against a dramatic sunset sky with orange and blue tones. The excavator is positioned on a pile of soil, and a large mound of soil is visible in the background.

**CHOOSE TO
DO MORE.**

UNBEATABLE COMBINATION OF MUSCLE AND FINESSE.

With their quick work cycles and solid stability, choose the E210, E210LC, E230LC, E240, E240LC, and E260LC for a wide variety of jobsites. Featuring our Intelligent Hydraulic (JD-IHC) system that is fully integrated with the John Deere PowerTech™ Plus engine, they combine impressive performance with smooth, low-effort control. Auto pressure-boost provides more hydraulic power when needed, while additional auxiliary hydraulic capability and expanded bucket options increase versatility.



**AUTO PRESSURE-
BOOST DELIVERS**

**MORE
MUSCLE**

Proven performers

Field-proven John Deere PowerTech Plus diesels provide exceptional power without compromising fuel economy. Integration with Deere's JD-IHC system delivers superb hydraulic tuning, for faster truck loading and fine-finish jobs such as grading and trenching.

Move more dirt

Choose the right tool for the job. A wide selection of buckets with different taper angles, capacities, and widths can be tailored to your application, for excellent bucket-fill performance and material retention.

Fast cycle times

Generous flow, arm force, and swing torque help speed cycles. So you can do your best to stay on schedule or ahead of the weather.

Power and work modes

Four power modes (Low, Economy, Standard, and High) easily adapt to changing job demands, so you can find the right balance of productivity and fuel economy to fit the way you work. Three work modes — Lift, Dig, and Hammer/Bidirectional Auxiliary — let an operator choose the proper hydraulic response for specific applications and attachments.

More flow on the go

Need more hydraulic flow for a hammer, grapple, or other attachment? Multiple auxiliary hydraulic lines enable compatibility with a variety of couplers and attachments.

Break through

When the digging gets tough, auto pressure-boost senses the workload and delivers the additional force you need.



GET IN TOUCH

WITH YOUR PRODUCTIVE SIDE.

We've loaded the cab with lots of operator-friendly features. New seven-inch touch-screen monitor provides quick access to machine features and functions. And boasting eye-catching new automotive-quality styling, the quiet, spacious cab offers generous legroom, expansive all-around visibility, and a host of other fatigue-fighting creature comforts.



7" TOUCH-SCREEN MONITOR

Stow your stuff

Large area behind the seat provides onboard storage space. It also allows the seat to be reclined into a comfortable resting position.

Take control

Ergonomically correct short-throw pilot levers provide smooth, predictable fingertip control with less movement or effort.

Cool customer

Automatic temperature control (ATC) system helps keep the glass clear and the cab comfortable.

Nice touch

Easy-to-read touch-screen monitor provides quick access to a wealth of machine data and functions. Simply tap the screen to change machine settings, access operating info, select work mode, or check advanced onboard diagnostics.

Have a seat

Air-suspension leather seat with wide, padded armrests is fully adjustable to accommodate a variety of operators.

Sealed-switch module

Sealed touch pad keeps out dust, moisture, and debris, and allows for quick access to machine features and functions. Eliminating traditional rocker switches means no unsealed connections and moving parts, for more durability.

User friendly

New automotive-quality styling is as appealing as it is ergonomic, putting efficient productivity within easy reach. Foot pedals, travel levers, and joysticks have been optimally repositioned for simple, intuitive operation.





**ROOM
WITH
A VIEW.**

READY WHEN YOU ARE

OPTIMISE UPTIME.

Easy to service

Ground-level access and grouped service points make it fast and easy to perform most daily checks, greasing, and filter changes, so you can get to work quickly. Extended 500-hour engine oil and 4,000-hour hydraulic oil-service intervals minimise downtime for routine maintenance.

Cooler core cleanout

Highly efficient, electronically controlled variable-speed suction-type cooling fan runs only as fast as needed, lowering noise, fuel consumption, and operating costs.

Fuel savers

Auto-idle automatically reduces engine speed when hydraulics aren't in use, saving precious fuel. Automatic turbo cool-down extends idle time before shutdown, to maximise component life.

Light things up

Optional premium LED lights help bring jobsites into focus after dark or in low-light conditions. Electrical architecture is streamlined for optimal wear life.

Durable diesels

Reliable John Deere PowerTech™ Plus diesel engines feature replaceable wet-sleeve cylinder liners that resist wear and dissipate heat more evenly, for longer life.

JDLink™ machine monitoring

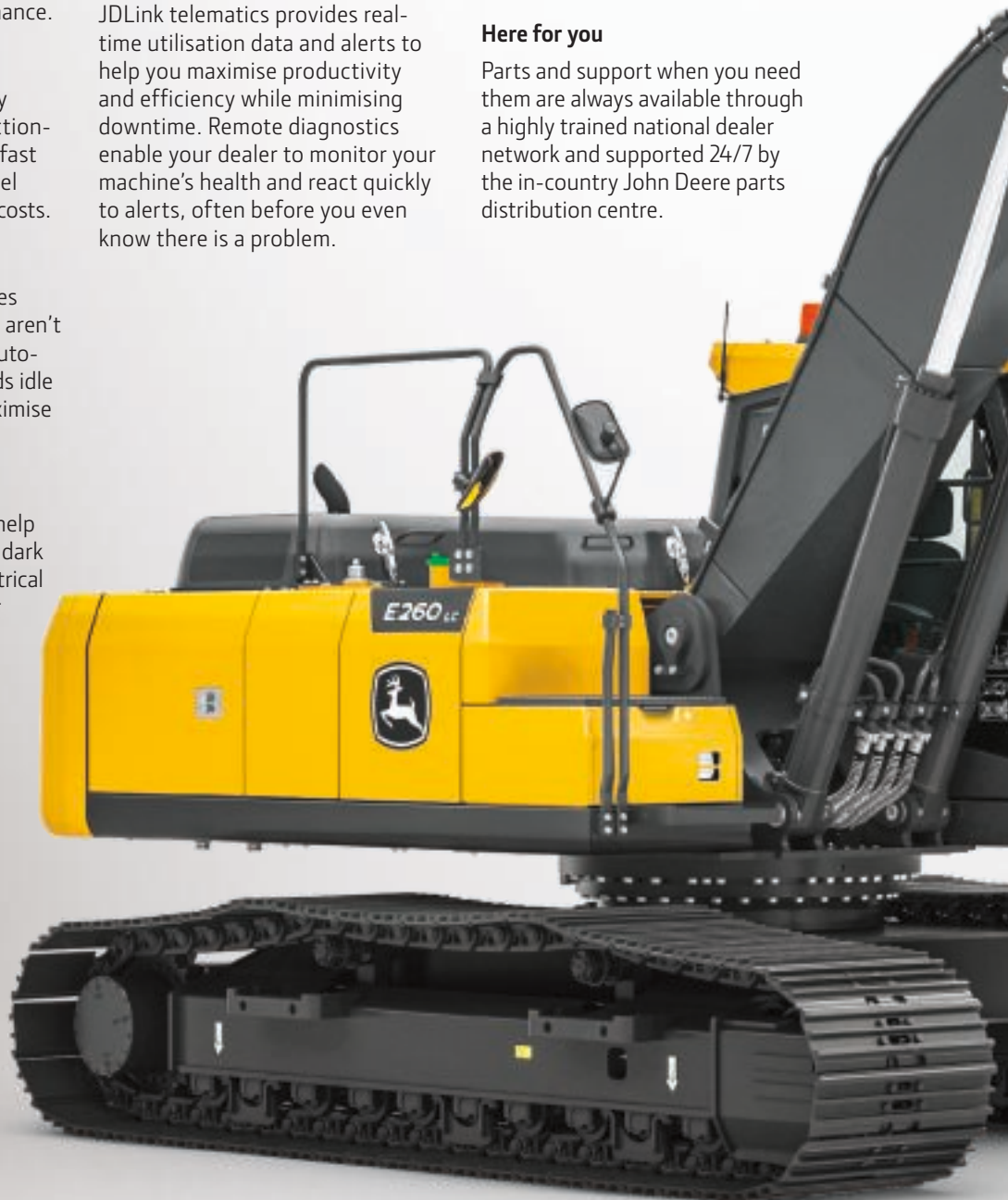
JDLink telematics provides real-time utilisation data and alerts to help you maximise productivity and efficiency while minimising downtime. Remote diagnostics enable your dealer to monitor your machine's health and react quickly to alerts, often before you even know there is a problem.

Keep it clean

Isolated side-by-side coolers are easy to clean. Optional trash screen that blocks dust, leaves, and other debris from entering the system is also simple to maintain. Air-conditioner condenser swings out for wide-open access to coolers.

Here for you

Parts and support when you need them are always available through a highly trained national dealer network and supported 24/7 by the in-country John Deere parts distribution centre.







E210 LC SPECIFICATIONS

Engine		E210 / E210LC	
Manufacturer and Model	John Deere PowerTech Plus 4045	John Deere PowerTech 4045	
Non-Road Emission Standard	China Stage 3 / similar to EPA Tier 3/EU Stage IIIA	R96 Stage II	
Gross Rated Power (SAE J1995 and ISO 3046)	118 kW at 2,000 rpm	118 kW at 2,000 rpm	
Net Rated Power (ISO 9249)	117 kW at 2,000 rpm	112 kW at 2,000 rpm	
Maximum Gross Torque (SAE J1995 and ISO 3046)	645 Nm at 1,500 rpm	642 Nm at 1,600 rpm	
Cylinders	4	4	
Piston Displacement	4.5 L	4.5 L	
Off-Level Capacity	70% (35 deg.)	70% (35 deg.)	
Cooling			
Type	Electronically controlled, variable-speed, suction-type cooling fan	Fixed-drive, suction-type cooling fan	
Hydraulics			
Designed for high digging capacity, productivity, and operating precision, and excellent fuel economy; summation system, boom and swing priority, and boom and arm regeneration provide optimum performance			
Main Pump	Tandem variable-displacement, electrohydraulic (EH)-controlled axial-piston pumps		
Maximum Discharge Flow	2 x 224 L/m (2 x 124.4 cc/rev at 100% efficiency)	2 x 224 L/m (2 x 112 cc/rev at 100% efficiency)	
Pilot Pump	Gear pump		
Maximum Discharge Flow	1 x 18 L/m (1 x 10 cc/rev at 100% efficiency)	1 x 20 L/m (1 x 10 cc/rev at 100% efficiency)	
Low-Flow Auxiliary Pump	Gear pump		
Maximum Discharge Flow	1 x 40 L/m (1 x 22 cc/rev at 100% efficiency)	1 x 44 L/m (1 x 22 cc/rev at 100% efficiency)	
System Operating Pressure			
Circuits			
Implement	34.3 MPa		
Travel	34.3 MPa		
Swing	27.3 MPa		
Pilot	3.9 MPa		
Auxiliary	Preset to 21.0 MPa hammer mode / 34.3 MPa 2-way mode		
Low-Flow Auxiliary	Preset to 25.0 MPa		
Pressure Boost	36.4 MPa		
Controls	Hydraulic pilot controls with hydraulic-enable lever		
Travel System			
Drive Method	Fully hydrostatic type		
Travel Motor	2 speed axial-piston motor with spring-applied hydraulic-release brake		
Reduction System	Planetary gear reduction		
Maximum Drawbar Pull	216 kN		
Travel Speeds			
High	5.5 km/h		
Low	3.2 km/h		
Parking Brake	Wet, multi disc		
Cylinders			
	<i>Bore Diameter</i>	<i>Rod Diameter</i>	<i>Stroke</i>
Boom (2)	125 mm	85 mm	1221 mm
Arm (1)	140 mm	95 mm	1475 mm
Bucket (1)	120 mm	80 mm	1060 mm
Swing System			
Swing Motor	Axial-piston motor with spring-applied, hydraulic-release brake		
Swing Reduction	Planetary gear reduction		
Swing Gear Lubrication	Grease bath		
Swing Brake	Wet, multi disc		
Swing Speed	12.5 rpm		
Swing Torque	61 kNm		
Undercarriage		E210	E210LC
Includes lubricated rollers, idlers, track adjusters (with shock-absorbing spring), and greased and sealed track chain with triple-grouser shoes			
Center Frame	X-leg type	X-leg type	
Track Frame	Pentagonal box type	Pentagonal box type	
Shoes (each side)	45	49	
Rollers (each side)			
Carrier	2	2	
Track	7	8	
Track Guides (each side)	1	2	

While general information, pictures, and descriptions are provided, some illustrations and text may include product options and accessories NOT AVAILABLE in all regions, and in some countries products and accessories may require modifications or additions to ensure compliance with the local regulations of those countries.

E210 LC SPECIFICATIONS



Undercarriage (continued)	E210	E210LC
Shoe Width, Triple Grousers		
Standard	600 mm	600 mm
Option 1	500 mm	600-mm heavy duty (HD)
Option 2	600-mm HD	800-mm HD
Option 3	800-mm HD	—

Weights and Ground Pressure

General-Duty (GD) Machine With 5.68-m Boom and 2.9-m Arm					
Bucket	1.0-m ³ General Purpose (GP)			1.2-m ³ GP	
Triple-Grouser Shoe Width	500 mm	600 mm	800-mm HD	600 mm	800-mm HD
Operating Weight	21 100 kg	21 300 kg	22 000 kg	22 000 kg	22 800 kg
Ground Pressure	58.3 kPa	49.1 kPa	38.0 kPa	46.2 kPa	35.6 kPa
Standard Counterweight	3600 kg			3600 kg	
Heavy-Duty (HD) Machine With 5.68-m HD Boom and 2.9-m HD Arm					
Bucket	1.0-m ³ HD			1.1-m ³ HD	
Triple-Grouser Shoe Width	600-mm HD	800-mm HD		600-mm HD	800-mm HD
Operating Weight	22 600 kg	23 100 kg		23 300 kg	23 900 kg
Ground Pressure	52.1 kPa	39.9 kPa		48.5 kPa	37.3 kPa
Standard Counterweight	4200 kg			4200 kg	
Severe-Duty (SD) Machine With 5.68-m HD Boom and 2.9-m HD Arm					
Bucket	1.0-m ³ SD			1.0-m ³ SD	
Triple-Grouser Shoe Width	600-mm HD			600-mm HD	
Operating Weight	22 700 kg			23 300 kg	
Ground Pressure	52.3 kPa			48.5 kPa	
Standard Counterweight	4200 kg			4200 kg	

Electrical System

	E210 / E210LC
Number of Batteries (24-volt system)	2 – 12 volt
Battery Capacity	950 CCA
Reserve Capacity	165 min.
Alternator Rating	80 amp

Serviceability

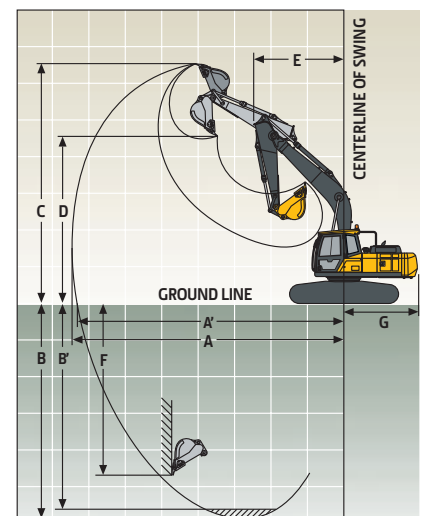
Refill Capacities (standard fill)

Fuel Tank	390 L
Engine Coolant	26 L
Engine Oil	14.7 L
Swing Mechanism	4 L
Travel Final Drive (each side)	4.4 L
Hydraulic System	260 L
Hydraulic Tank	141 L

Operating Dimensions

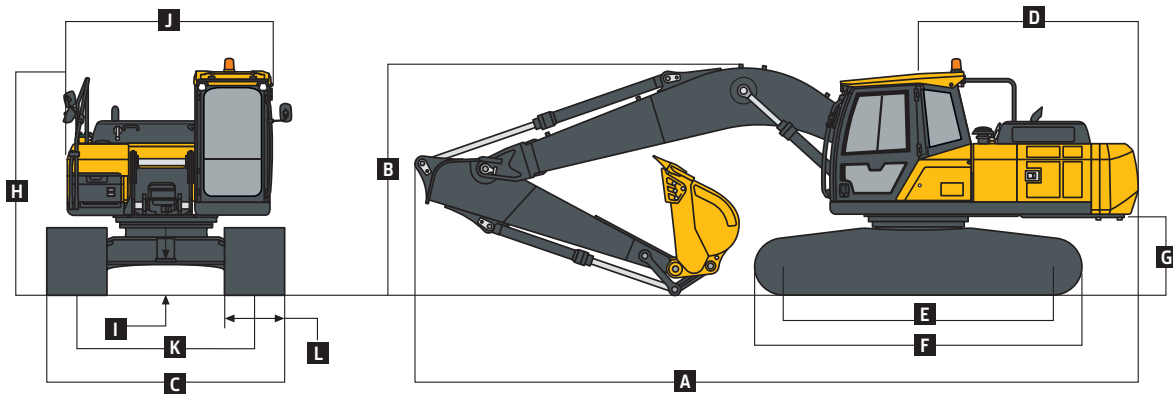
With 5.68-m Boom and 2.9-m Arm

Tool Force	
Bucket	150 kN
Arm	111 kN
A Maximum Reach	10 040 mm
A' Maximum Reach at Ground Level	9820 mm
B Maximum Digging Depth	6730 mm
B' Maximum Digging Depth at 2.44-m Level Bottom	6560 mm
C Maximum Cutting Height	9810 mm
D Maximum Loading Height	6790 mm
E Minimum Slew Radius	3660 mm
F Maximum Vertical Wall Digging Depth	6090 mm
G Tail-Swing Radius	3042 mm



E210 / E210LC

Overall Dimensions	E210	E210LC
	<i>With 5.68-m Boom and 2.9-m Arm</i>	<i>With 5.68-m Boom and 2.9-m Arm</i>
A Overall Length	9790 mm	9790 mm
B Overall Height	3140 mm	3140 mm
B' Overall Height With Boom Plumbing	3299 mm	3299 mm
C Overall Width (over tracks)	2800 mm	2980 mm
D Tail Length	2975 mm	2975 mm
D' Tail-Swing Radius	3042 mm	3042 mm
E Tumbler Distance	3265 mm	3648 mm
F Overall Length of Crawler	4072 mm	4454 mm
G Counterweight Clearance	1089 mm	1089 mm
H Overall Height (to top of cab)	3024 mm	3024 mm
I Ground Clearance	469 mm	445 mm
J Overall Width of Upperstructure	2710 mm	2710 mm
K Track Gauge	2200 mm	2380 mm
L Shoe Width	600 mm	600 mm



E210 General-Duty (GD) Machine Lift Capacities

Boldface type indicates stability-limited capacity; lightface type indicates hydraulically limited capacities, in kg. Lifting capacity at the arm end without bucket; machine equipped with 5.68-m boom; 2.9-m arm; no bucket; and 600-mm triple-grouser shoes; standard carriage; and 3600-kg counterweight; and situated on firm, uniform supporting surface. Total load includes weight of cables, hook, etc. Figures do not exceed 87 percent of hydraulic capacities or 75 percent of weight needed to tip machine. All capacities are based on ISO 10567.

LOAD POINT HEIGHT	HORIZONTAL DISTANCE FROM CENTERLINE OF ROTATION										Maximun Reach		Value (m)
	1.5 m		3.0 m		4.5 m		6.0 m		7.5 m		Over Front	Over Side	
7.5 m							5140	4300			5040	3970	6.27
6.0 m							5050	4350			4280	3050	7.39
4.5 m							5610	4230	4180	2970	3700	2610	8.07
3.0 m					8320	6060	5760	4020	4100	2890	3420	2390	8.43
1.5 m					8550	5650	5560	3820	4020	2790	3340	2320	8.50
Ground Line					8420	5490	5450	3700	3970	2740	3440	2380	8.31
-1.5 m	6300	6300	10 420	10 420	8540	5540	5460	3690	3990	2750	3780	2610	7.82
-3.0 m	11 440	11 440	15 290	11 340	8830	5740	5610	3800			4560	3140	6.97
-4.5 m			12 350	12 230	8790	6120					6610	4500	5.60

E210 Heavy-Duty (HD) Machine Lift Capacities

Boldface type indicates stability-limited capacity; lightface type indicates hydraulically limited capacities, in kg. Lifting capacity at the arm end without bucket; machine equipped with 5.68-m HD boom; 2.9-m HD arm; no bucket; and 600-mm HD triple-grouser shoes; standard carriage; and 4200-kg counterweight; and situated on firm, uniform supporting surface. Total load includes weight of cables, hook, etc. Figures do not exceed 87 percent of hydraulic capacities or 75 percent of weight needed to tip machine. All capacities are based on ISO 10567.

LOAD POINT HEIGHT	HORIZONTAL DISTANCE FROM CENTERLINE OF ROTATION										Maximun Reach		Value (m)
	1.5 m		3.0 m		4.5 m		6.0 m		7.5 m		Over Front	Over Side	
7.5 m							5050	4610			5030	4260	6.28
6.0 m							4960	4660			4570	3270	7.39
4.5 m							5510	4530	4460	3170	3940	2790	8.07
3.0 m					8170	6480	6140	4300	4370	3080	3640	2560	8.43
1.5 m					9100	6030	5920	4080	4280	2980	3550	2480	8.50
Ground Line					8950	5850	5800	3950	4220	2920	3660	2540	8.31
-1.5 m	6290	6290	10 410	10 410	9070	5900	5810	3930	4250	2930	4030	2790	7.82
-3.0 m	11 430	11 430	14 960	12 090	9400	6120	5960	4050			4860	3360	6.97
-4.5 m			12 060	12 060	8580	6540					6470	4810	5.60

While general information, pictures, and descriptions are provided, some illustrations and text may include product options and accessories NOT AVAILABLE in all regions, and in some countries products and accessories may require modifications or additions to ensure compliance with the local regulations of those countries.

E210LC General-Duty (GD) Machine Lift Capacities

Boldface type indicates stability-limited capacity; lightface type indicates hydraulically limited capacities, in kg. Lifting capacity at the arm end without bucket; machine equipped with 5.68-m boom; 2.9-m arm; no bucket; and 600-mm triple-grouser shoes; long carriage; and 3600-kg counterweight; and situated on firm, uniform supporting surface. Total load includes weight of cables, hook, etc. Figures do not exceed 87 percent of hydraulic capacities or 75 percent of weight needed to tip machine. All capacities are based on ISO 10567.

LOAD POINT HEIGHT	HORIZONTAL DISTANCE FROM CENTERLINE OF ROTATION										Maximun Reach		Value (m)
	1.5 m		3.0 m		4.5 m		6.0 m		7.5 m		Over Front	Over Side	
	Over Front	Over Side	Over Front	Over Side	Over Front	Over Side	Over Front	Over Side	Over Front	Over Side	Over Front	Over Side	
7.5 m							5140	4770			5040	4410	6.27
6.0 m							5050	4820			4670	3400	7.39
4.5 m							5610	4700	4980	3310	4410	2930	8.07
3.0 m					8320	6810	6510	4500	4910	3240	4090	2690	8.43
1.5 m					10 180	6400	6730	4300	4830	3150	4010	2620	8.50
Ground Line					10 480	6250	6630	4190	4790	3090	4140	2690	8.31
-1.5 m	6300	6300	10 420	10 420	10 650	6310	6660	4180	4820	3110	4560	2950	7.82
-3.0 m	11 440	11 440	15 290	13 190	10 690	6530	6830	4300			5510	3550	6.97
-4.5 m			12 350	12 350	8790	6940					6630	5070	5.60

E210LC Heavy-Duty (HD) Machine Lift Capacities

Boldface type indicates stability-limited capacity; lightface type indicates hydraulically limited capacities, in kg. Lifting capacity at the arm end without bucket; machine equipped with 5.68-m HD boom; 2.9-m HD arm; no bucket; and 600-mm HD triple-grouser shoes; long carriage; and 4200-kg counterweight; and situated on firm, uniform supporting surface. Total load includes weight of cables, hook, etc. Figures do not exceed 87 percent of hydraulic capacities or 75 percent of weight needed to tip machine. All capacities are based on ISO 10567.

LOAD POINT HEIGHT	HORIZONTAL DISTANCE FROM CENTERLINE OF ROTATION										Maximun Reach		Value (m)
	1.5 m		3.0 m		4.5 m		6.0 m		7.5 m		Over Front	Over Side	
	Over Front	Over Side	Over Front	Over Side	Over Front	Over Side	Over Front	Over Side	Over Front	Over Side	Over Front	Over Side	
7.5 m							5050	5050			5030	4710	6.28
6.0 m							4960	4960			4660	3630	7.39
4.5 m							5510	5030	5190	3540	4570	3120	8.07
3.0 m					8170	7270	6390	4800	5220	3450	4350	2870	8.43
1.5 m					9980	6810	7150	4590	5130	3350	4260	2790	8.50
Ground Line					10 970	6640	7040	4450	5080	3290	4400	2870	8.31
-1.5 m	6290	6290	10 410	10 410	11 110	6710	7070	4440	5120	3300	4840	3140	7.82
-3.0 m	11 430	11 430	14 960	14 030	10 460	6950	7250	4570			5850	3780	6.97
-4.5 m			12 060	12 060	8580	7400					6470	5410	5.60

Bucket Selection Guide

	E210			E210LC		
Counterweight			3.6 mt	4.2 mt	4.2 mt	3.6 mt
Boom			5.68-m STD	5.68-m STD	5.68-m HD	5.68-m STD
Arm			2.91-m STD	2.91-m STD	2.91-m HD	2.91-m STD

	Width*	Capacity	Weight**						
Pin-On (no quick-coupler)									
General Purpose (GP)	1220 mm	1.0 m ³	956 kg	B	A	B	A	A	A
	1410 mm	1.2 m ³	1034 kg	E	D	D	C	B	B
Heavy Duty (HD)	1120 mm	1.0 m ³	1176 kg	D	B	B	B	A	A
	1210 mm	1.1 m ³	1223 kg	E	D	D	C	B	B
	1300 mm	1.2 m ³	1271 kg	E	D	E	D	C	C
Severe Duty (SD)	1065 mm	1.0 m ³	1260 kg	—	—	C	—	—	B
	1200 mm	1.15 m ³	1334 kg	—	—	E	—	—	C

*Cutting-edge width.

**Includes standard teeth, side accessories, and pins.

Contact your John Deere dealer for optimum bucket and attachment selections. These recommendations are for general conditions and average use. Does not include optional equipment such as thumbs or couplers. Larger buckets may be possible when using light materials, for flat and level operations, less compacted materials, and volume-loading applications such as mass-excavation applications in ideal conditions. Smaller buckets are recommended for adverse conditions such as off-level applications, rocks, and uneven surfaces. Bucket capacity indicated is SAE heaped.

Maximum Material Density

- A = 2100 kg/m³
- B = 1800 kg/m³
- C = 1700 kg/m³
- D = 1500 kg/m³
- E = 1200 kg/m³
- X = Not recommended

General-Purpose Buckets (GP):

General-Purpose buckets are provided as standard equipment and engineered to meet or exceed customer expectations in light-duty applications. These buckets are designed to dig and excavate soft to medium materials such as earth loam, sand, and fine gravel.

Heavy-Duty Buckets (HD):

Heavy-Duty buckets are provided as optional equipment and engineered to meet or exceed customer expectations in moderate-duty or mixed applications. These buckets are designed to dig and excavate in dry or wet clay, compacted soils, and well-blasted rock applications.

Severe-Duty Buckets (SD):

Severe-Duty buckets are provided as optional equipment and engineered to meet or exceed customer expectations in severe applications. These buckets are designed to dig and excavate in shot rocks, prying and tearing, caliche, and highly compacted materials. They feature additional abrasion-resistance protection.



E230LC SPECIFICATIONS

Engine		E230LC	
Manufacturer and Model	John Deere PowerTech Plus 4045	John Deere PowerTech 4045	
Non-Road Emission Standard	China Stage 3 / similar to EPA Tier 3/EU Stage IIIA	R96 Stage II	
Gross Rated Power (SAE J1995 and ISO 3046)	118 kW at 2,000 rpm	118 kW at 2,000 rpm	
Net Rated Power (ISO 9249)	117 kW at 2,000 rpm	112 kW at 2,000 rpm	
Maximum Gross Torque (SAE J1995 and ISO 3046)	645 Nm at 1,500 rpm	642 Nm at 1,600 rpm	
Cylinders	4	4	
Piston Displacement	4.5 L	4.5 L	
Off-Level Capacity	70% (35 deg.)	70% (35 deg.)	
Cooling			
Type	Electronically controlled, variable-speed, suction-type cooling fan	Fixed-drive, suction-type cooling fan	
Hydraulics			
Designed for high digging capacity, productivity, and operating precision, and excellent fuel economy; summation system, boom and swing priority, and boom and arm regeneration provide optimum performance			
Main Pump	Tandem variable-displacement, electrohydraulic (EH)-controlled axial-piston pumps		
Maximum Discharge Flow	2 x 224 L/m (2 x 124.4 cc/rev at 100% efficiency)	2 x 224 L/m (2 x 112 cc/rev at 100% efficiency)	
Pilot Pump	Gear pump		
Maximum Discharge Flow	1 x 18 L/m (1 x 10 cc/rev at 100% efficiency)	1 x 20 L/m (1 x 10 cc/rev at 100% efficiency)	
Low-Flow Auxiliary Pump	Gear pump		
Maximum Discharge Flow	1 x 40 L/m (1 x 22 cc/rev at 100% efficiency)	1 x 44 L/m (1 x 22 cc/rev at 100% efficiency)	
System Operating Pressure			
Circuits			
Implement	34.3 MPa		
Travel	34.3 MPa		
Swing	27.3 MPa		
Pilot	3.9 MPa		
Auxiliary	Preset to 21.0 MPa hammer mode / 34.3 MPa 2-way mode		
Low-Flow Auxiliary	Preset to 25.0 MPa		
Pressure Boost	36.4 MPa		
Controls	Hydraulic pilot controls with hydraulic-enable lever		
Travel System			
Drive Method	Fully hydrostatic type		
Travel Motor	2 speed axial-piston motor with spring-applied hydraulic-release brake		
Reduction System	Planetary gear reduction		
Maximum Drawbar Pull	216 kN		
Travel Speeds			
High	5.5 km/h		
Low	3.2 km/h		
Parking Brake	Wet, multi disc		
Cylinders			
	<i>Bore Diameter</i>	<i>Rod Diameter</i>	<i>Stroke</i>
Boom (2)	125 mm	85 mm	1221 mm
Arm (1)	140 mm	95 mm	1475 mm
Bucket (1)	120 mm	80 mm	1060 mm
Swing System			
Swing Motor	Axial-piston motor with spring-applied, hydraulic-release brake		
Swing Reduction	Planetary gear reduction		
Swing Gear Lubrication	Grease bath		
Swing Brake	Wet, multi disc		
Swing Speed	12.5 rpm		
Swing Torque	61 kNm		

While general information, pictures, and descriptions are provided, some illustrations and text may include product options and accessories NOT AVAILABLE in all regions, and in some countries products and accessories may require modifications or additions to ensure compliance with the local regulations of those countries.

E230 LC SPECIFICATIONS



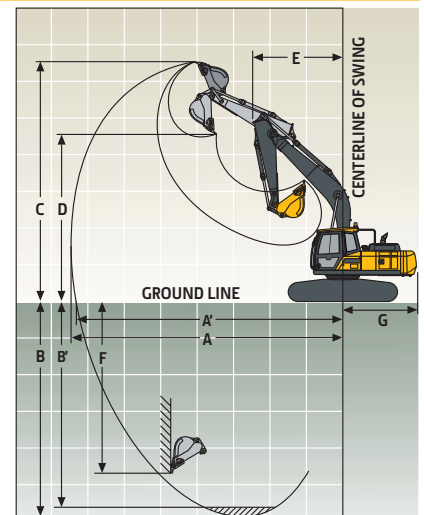
Undercarriage	E230LC
Includes lubricated rollers, idlers, track adjusters (with shock-absorbing spring), and greased and sealed track chain with triple-grouser shoes	
Center Frame	X-leg type
Track Frame	Pentagonal box type
Shoes (each side)	49
Rollers (each side)	
Carrier	2
Track	9
Track Guides (each side)	2
Shoe Width, Triple Grousers	
Standard	600-mm heavy duty (HD)
Option 1	800-mm HD
Option 2, (double grouser)	700-mm HD

Weights and Ground Pressure	Heavy-Duty (HD) Machine		Severe-Duty (SD) Machine
	With 5.68-m HD Boom and 2.9-m HD Arm		With 5.68-m HD Boom and 2.9-m HD Arm
Bucket	1.2-m ³ HD		1.15-m ³ SD
Triple-Grouser Shoe Width	600-mm HD	800-mm HD	600-mm HD
Operating Weight	24 100 kg	24 700 kg	24 000 kg
Ground Pressure	50.1 kPa	38.4 kPa	50.1 kPa
Standard Counterweight	4800 kg		4800 kg

Electrical System	
Number of Batteries (24-volt system)	2 – 12 volt
Battery Capacity	950 CCA
Reserve Capacity	165 min.
Alternator Rating	80 amp

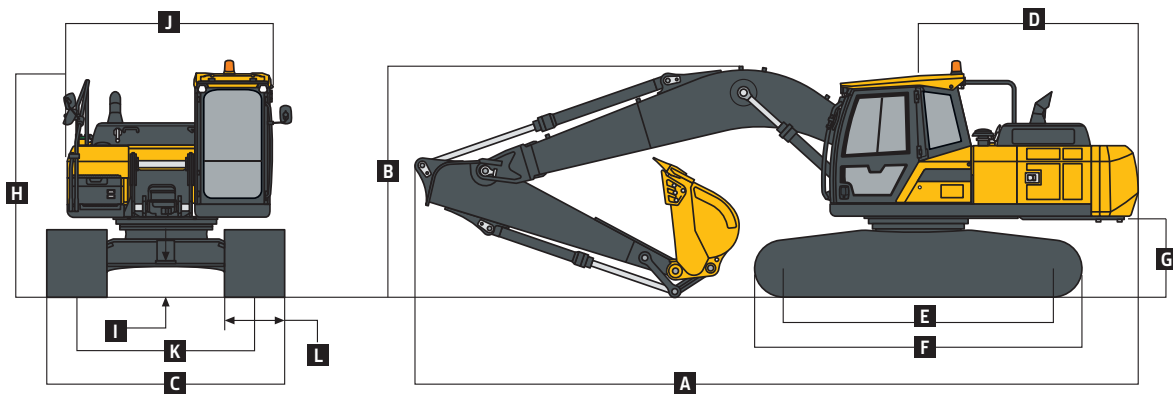
Serviceability	
Refill Capacities (standard fill)	
Fuel Tank	390 L
Engine Coolant	26 L
Engine Oil	14.7 L
Swing Mechanism	4 L
Travel Final Device (each side)	4.4 L
Hydraulic System	260 L
Hydraulic Tank	141 L

Operating Dimensions	
With 5.68-m Boom and 2.9-m Arm	
Tool Force	
Bucket	150 kN
Arm	111 kN
A Maximum Reach	10 040 mm
A' Maximum Reach at Ground Level	9820 mm
B Maximum Digging Depth	6730 mm
B' Maximum Digging Depth at 2.44-m Level Bottom	6560 mm
C Maximum Cutting Height	9810 mm
D Maximum Loading Height	6790 mm
E Minimum Slew Radius	3660 mm
F Maximum Vertical Wall Digging Depth	6090 mm
G Tail-Swing Radius	3042 mm



E230LC

Overall Dimensions	E230LC
	<i>With 5.68-m Boom and 2.9-m Arm</i>
A Overall Length	9790 mm
B Overall Height	3140 mm
B' Overall Height With Boom Plumbing	3299 mm
C Overall Width (over tracks)	2980 mm
D Tail Length	2975 mm
D' Tail-Swing Radius	3042 mm
E Tumbler Distance	3648 mm
F Overall Length of Crawler	4454 mm
G Counterweight Clearance	1089 mm
H Overall Height (to top of cab)	3024 mm
I Ground Clearance	445 mm
J Overall Width of Upperstructure	2710 mm
K Track Gauge	2380 mm
L Shoe Width	600 mm



E230LC Heavy-Duty (HD) Machine Lift Capacities

Boldface type indicates stability-limited capacity; lightface type indicates hydraulically limited capacities, in kg. Lifting capacity at the arm end without bucket; machine equipped with 5.68-m HD boom; 2.9-m HD arm; no bucket; and 600-mm HD triple-grouser shoes; long carriage; and 4800-kg counterweight; and situated on firm, uniform supporting surface. Total load includes weight of cables, hook, etc. Figures do not exceed 87 percent of hydraulic capacities or 75 percent of weight needed to tip machine. All capacities are based on ISO 10567.

LOAD POINT HEIGHT	HORIZONTAL DISTANCE FROM CENTERLINE OF ROTATION										Maximun Reach		Value (m)
	1.5 m		3.0 m		4.5 m		6.0 m		7.5 m		Over Front	Over Side	
	Over Front	Over Side	Over Front	Over Side	Over Front	Over Side	Over Front	Over Side	Over Front	Over Side	Over Front	Over Side	
7.5 m							5050	5050			5030	5030	6.28
6.0 m							4960	4960			4660	3940	7.39
4.5 m							5510	5430	5190	3840	4570	3400	8.07
3.0 m					8170	7860	6390	5210	5570	3760	4660	3140	8.43
1.5 m					9980	7410	7300	5000	5520	3660	4590	3060	8.50
Ground Line					10 970	7250	7580	4870	5480	3600	4750	3140	8.31
-1.5 m	6290	6290	10 410	10 410	11 110	7330	7620	4870	5520	3620	5220	3440	7.82
-3.0 m	11 430	11 430	14 960	14 960	10 460	7580	7740	5000			6300	4130	6.97
-4.5 m			12 060	12 060	8580	8040					6470	5880	5.60

While general information, pictures, and descriptions are provided, some illustrations and text may include product options and accessories NOT AVAILABLE in all regions, and in some countries products and accessories may require modifications or additions to ensure compliance with the local regulations of those countries.

E230LC Bucket Selection Guide

Counterweight	4.8 mt
Boom	5.68-m HD
Arm	2.91-m HD

	Width*	Capacity	Weight**	
Pin-On (no quick-coupler)				
General Purpose (GP)	1220 mm	1.0 m ³	956 kg	A
	1410 mm	1.2 m ³	1034 kg	A
Heavy Duty (HD)	1120 mm	1.0 m ³	1176 kg	A
	1210 mm	1.1 m ³	1223 kg	A
	1300 mm	1.2 m ³	1271 kg	B
Severe Duty (SD)	1380 mm	1.3 m ³	1312 kg	B
	1065 mm	1.0 m ³	1260 kg	A
	1200 mm	1.15 m ³	1334 kg	B

*Cutting-edge width.

**Includes standard teeth, side accessories, and pins.

Contact your John Deere dealer for optimum bucket and attachment selections. These recommendations are for general conditions and average use. Does not include optional equipment such as thumbs or couplers. Larger buckets may be possible when using light materials, for flat and level operations, less compacted materials, and volume-loading applications such as mass-excavation applications in ideal conditions. Smaller buckets are recommended for adverse conditions such as off-level applications, rocks, and uneven surfaces. Bucket capacity indicated is SAE heaped.

Maximum Material Density

A = 2100 kg/m³

B = 1800 kg/m³

C = 1700 kg/m³

D = 1500 kg/m³

E = 1200 kg/m³

X = Not recommended

General-Purpose Buckets (GP):

General-Purpose buckets are provided as standard equipment and engineered to meet or exceed customer expectations in light-duty applications. These buckets are designed to dig and excavate soft to medium materials such as earth loam, sand, and fine gravel.

Heavy-Duty Buckets (HD):

Heavy-Duty buckets are provided as optional equipment and engineered to meet or exceed customer expectations in moderate-duty or mixed applications. These buckets are designed to dig and excavate in dry or wet clay, compacted soils, and well-blasted rock applications.

Severe-Duty Buckets (SD):

Severe-Duty buckets are provided as optional equipment and engineered to meet or exceed customer expectations in severe applications. These buckets are designed to dig and excavate in shot rocks, prying and tearing, caliche, and highly compacted materials. They feature additional abrasion-resistance protection.



E240 LC SPECIFICATIONS

Engine		E240 / E240LC	
Manufacturer and Model	John Deere PowerTech Plus 6068	John Deere PowerTech 6068	
Non-Road Emission Standard	China Stage 3 / similar to EPA Tier 3/EU Stage IIIA	R96 Stage II	
Gross Rated Power (SAE J1995 and ISO 3046)	144 kW at 2,000 rpm	144 kW at 2,000 rpm	
Net Rated Power (ISO 9249)	143 kW at 2,000 rpm	143 kW at 2,000 rpm	
Maximum Gross Torque (SAE J1995 and ISO 3046)	934 Nm at 1,400 rpm	934 Nm at 1,400 rpm	
Cylinders	6	6	
Piston Displacement	6.8 L	6.8 L	
Off-Level Capacity	70% (35 deg.)	70% (35 deg.)	
Cooling		Electronically controlled, variable-speed, suction-type cooling fan	
Hydraulics		Designed for high digging capacity, productivity, and operating precision, and excellent fuel economy; summation system, boom and swing priority, and boom and arm regeneration provide optimum performance	
Main Pump	Tandem variable-displacement, electrohydraulic (EH)-controlled axial-piston pumps		
Maximum Discharge Flow	2 x 234 L/m (2 x 130 cc/rev at 100% efficiency)	2 x 234 L/m (2 x 117 cc/rev at 100% efficiency)	
Pilot Pump	Gear pump		
Maximum Discharge Flow	1 x 18 L/m (1 x 10 cc/rev at 100% efficiency)	1 x 20 L/m (1 x 10 cc/rev at 100% efficiency)	
Low-Flow Auxiliary Pump	Gear pump		
Maximum Discharge Flow	1 x 40 L/m (1 x 22 cc/rev at 100% efficiency)	1 x 44 L/m (1 x 22 cc/rev at 100% efficiency)	
System Operating Pressure		Circuits	
Implement	34.3 MPa		
Travel	36.4 MPa		
Swing	25.5 MPa		
Pilot	3.9 MPa		
Auxiliary	Preset to 21.0 MPa hammer mode / 34.3 MPa 2-way mode		
Low-Flow Auxiliary	Preset to 25.0 MPa		
Pressure Boost	36.4 MPa		
Controls	Hydraulic pilot controls with hydraulic-enable lever		
Travel System		Fully hydrostatic type	
Drive Method	Fully hydrostatic type		
Travel Motor	2 speed axial-piston motor with spring-applied hydraulic-release brake		
Reduction System	Planetary gear reduction		
Maximum Drawbar Pull	228 kN		
Travel Speeds	High		
	5.7 km/h		
	Low	3.4 km/h	
Parking Brake	Wet, multi disc		
Cylinders		<i>Bore Diameter</i>	<i>Rod Diameter</i>
Boom (2)	135 mm	95 mm	1355 mm
Arm (1)	145 mm	105 mm	1700 mm
Bucket (1)	130 mm	90 mm	1115 mm
Swing System		Axial-piston motor with spring-applied, hydraulic-release brake	
Swing Motor	Axial-piston motor with spring-applied, hydraulic-release brake		
Swing Reduction	Planetary gear reduction		
Swing Gear Lubrication	Grease bath		
Swing Brake	Wet, multi disc		
Swing Speed	10.8 rpm		
Swing Torque	69 kNm		
Undercarriage		E240	E240LC
Includes lubricated rollers, idlers, track adjusters (with shock-absorbing spring), and greased and sealed track chain with triple-grouser shoes			
Center Frame	X-leg type	X-leg type	
Track Frame	Pentagonal box type	Pentagonal box type	
Shoes (each side)	47	51	
Rollers (each side)			
Carrier	2	2	
Track	8	9	
Track Guides (each side)	2	3	

While general information, pictures, and descriptions are provided, some illustrations and text may include product options and accessories NOT AVAILABLE in all regions, and in some countries products and accessories may require modifications or additions to ensure compliance with the local regulations of those countries.

E240 LC SPECIFICATIONS



Undercarriage (continued)	E240	E240LC
Shoe Width, Triple Grousers		
Standard	600 mm	600 mm
Option 1	600-mm heavy duty (HD)	600-mm HD
Option 2	—	800-mm HD

Weights and Ground Pressure

General-Duty (GD) Machine With 5.9-m Boom and 3.0-m Arm			
Bucket	1.3-m ³ General Purpose (GP)	1.3-m ³ GP	
Triple-Grouser Shoe Width	600 mm	600 mm	800-mm HD
Operating Weight	24 200 kg	24 800 kg	25 600 kg
Ground Pressure	53.1 kPa	49.4 kPa	38.1 kPa
Standard Counterweight	4700 kg	4700 kg	
Heavy-Duty (HD) Machine With 5.9-m HD Boom and 3.0-m HD Arm			
Bucket	1.3-m ³ HD	1.4-m ³ HD	
Triple-Grouser Shoe Width	600-mm HD	600-mm HD	800-mm HD
Operating Weight	25 500 kg	25 400 kg	26 000 kg
Ground Pressure	55.7 kPa	50.2 kPa	38.7 kPa
Standard Counterweight	5500 kg	4700 kg	
Severe-Duty (SD) Machine With 5.9-m HD Boom and 3.0-m HD Arm			
Bucket	1.3-m ³ SD	1.3-m ³ SD	
Triple-Grouser Shoe Width	600-mm HD	600-mm HD	
Operating Weight	25 600 kg	25 400 kg	
Ground Pressure	56.0 kPa	50.4 kPa	
Standard Counterweight	5500 kg	4700 kg	

Electrical System E240 / E240LC

Number of Batteries (24-volt system)	2 – 12 volt
Battery Capacity	950 CCA
Reserve Capacity	165 min.
Alternator Rating	80 amp

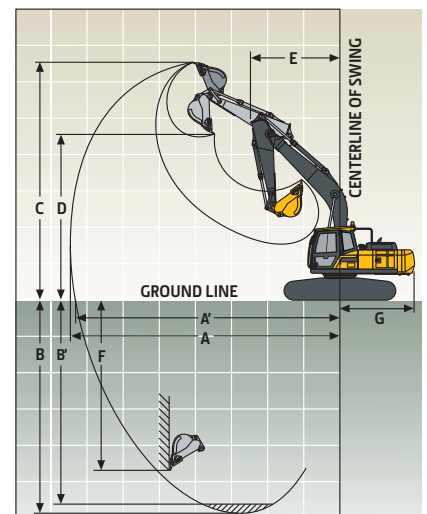
Serviceability

Refill Capacities (standard fill)

Fuel Tank	390 L
Engine Coolant	30 L
Engine Oil	20 L
Swing Mechanism	5.3 L
Travel Final Device (each side)	4.4 L
Hydraulic System	260 L
Hydraulic Tank	141 L

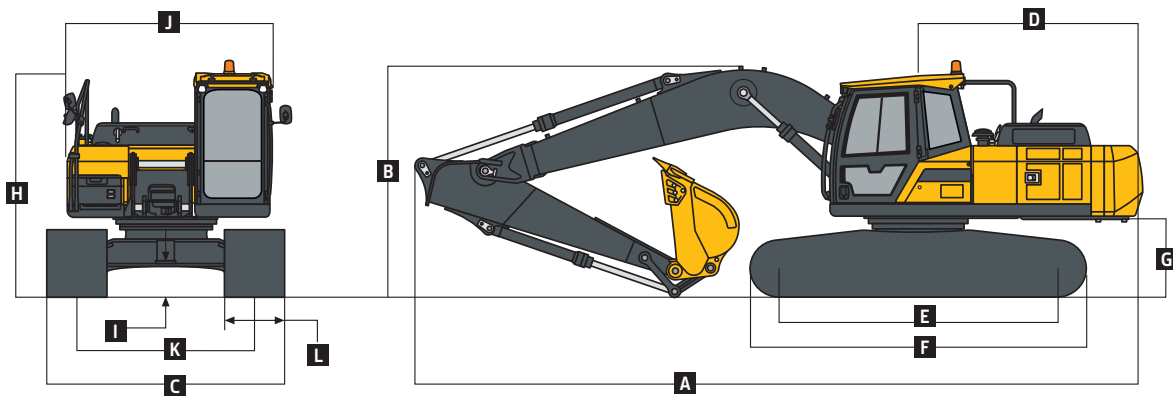
Operating Dimensions

With 5.9-m Boom and 3.0-m Arm	
Tool Force	
Bucket	176 kN
Arm	134 kN
A Maximum Reach	10 370 mm
A' Maximum Reach at Ground Level	10 140 mm
B Maximum Digging Depth	7160 mm
B' Maximum Digging Depth at 2.44-m Level Bottom	6980 mm
C Maximum Cutting Height	9810 mm
D Maximum Loading Height	6870 mm
E Minimum Slew Radius	4010 mm
F Maximum Vertical Wall Digging Depth	6200 mm
G Tail-Swing Radius	3100 mm



E240 / E240LC

Overall Dimensions	E240	E240LC
	<i>With 5.9-m Boom and 3.0-m Arm</i>	
A Overall Length	10 180 mm	10 180 mm
B Overall Height	3150 mm	3150 mm
B ¹ Overall Height With Boom Plumbing	3346 mm	3346 mm
C Overall Width (over tracks)	2980 mm	3200 mm
D Tail Length	3035 mm	3035 mm
D ¹ Tail-Swing Radius	3100 mm	3100 mm
E Tumbler Distance	3456 mm	3837 mm
F Overall Length of Crawler	4262 mm	4643 mm
G Counterweight Clearance	1090 mm	1090 mm
H Overall Height (to top of cab)	3027 mm	3027 mm
I Ground Clearance	445 mm	445 mm
J Overall Width of Upperstructure	2710 mm	2710 mm
K Track Gauge	2380 mm	2600 mm
L Shoe Width	600 mm	600 mm



E240 General-Duty (GD) Machine Lift Capacities

Boldface type indicates stability-limited capacity; lightface type indicates hydraulically limited capacities, in kg. Lifting capacity at the arm end without bucket; machine equipped with 5.9-m boom; 3.0-m arm; no bucket; and 600-mm triple-grouser shoes; standard carriage; and 4700-kg counterweight; and situated on firm, uniform supporting surface. Total load includes weight of cables, hook, etc. Figures do not exceed 87 percent of hydraulic capacities or 75 percent of weight needed to tip machine. All capacities are based on ISO 10567.

LOAD POINT HEIGHT	HORIZONTAL DISTANCE FROM CENTERLINE OF ROTATION										Maximun Reach		Value (m)
	1.5 m		3.0 m		4.5 m		6.0 m		7.5 m		Over Front	Over Side	
7.5 m											5110	4580	6.71
6.0 m											4820	3620	7.74
4.5 m							7130	5360	5280	3790	4400	3140	8.38
3.0 m					10 890	7650	7240	5090	5170	3670	4090	2900	8.71
1.5 m					10 810	7160	6990	4840	5050	3550	4010	2830	8.77
Ground Line					10 680	6980	6850	4690	4980	3470	4130	2900	8.57
-1.5 m	7710	7710	12 020	12 020	10 840	7050	6860	4680	4990	3470	4520	3160	8.09
-3.0 m	13 470	13 470	19 360	14 760	11 210	7300	7030	4800			5390	3760	7.25
-4.5 m			16 970	15 890	11 820	7750					7560	5210	5.93

E240 Heavy-Duty (HD) Machine Lift Capacities

Boldface type indicates stability-limited capacity; lightface type indicates hydraulically limited capacities, in kg. Lifting capacity at the arm end without bucket; machine equipped with 5.9-m HD boom; 3.0-m HD arm; no bucket; and 600-mm HD triple-grouser shoes; standard carriage; and 5500-kg counterweight; and situated on firm, uniform supporting surface. Total load includes weight of cables, hook, etc. Figures do not exceed 87 percent of hydraulic capacities or 75 percent of weight needed to tip machine. All capacities are based on ISO 10567.

LOAD POINT HEIGHT	HORIZONTAL DISTANCE FROM CENTERLINE OF ROTATION										Maximun Reach		Value (m)	
	1.5 m		3.0 m		4.5 m		6.0 m		7.5 m		Over Front	Over Side		
7.5 m											5090	4950	6.71	
6.0 m										5720	4160	4800	3920	7.74
4.5 m							7050	5800	5680	4110	4740	3410	8.38	
3.0 m					10 770	8280	7790	5520	5560	3980	4410	3160	8.71	
1.5 m					11 640	7760	7530	5250	5440	3860	4330	3080	8.77	
Ground Line					11 520	7580	7390	5100	5370	3770	4460	3160	8.57	
-1.5 m	7690	7690	12 010	12 010	11 700	7670	7410	5090	5390	3780	4880	3440	8.08	
-3.0 m	13 450	13 450	19 360	16 040	12 100	7940	7590	5220			5820	4090	7.25	
-4.5 m			16 760	16 760	11 960	8420					8160	5670	5.93	

While general information, pictures, and descriptions are provided, some illustrations and text may include product options and accessories NOT AVAILABLE in all regions, and in some countries products and accessories may require modifications or additions to ensure compliance with the local regulations of those countries.

E240LC Heavy-Duty (HD) Machine Lift Capacities

Boldface type indicates stability-limited capacity; lightface type indicates hydraulically limited capacities, in kg. Lifting capacity at the arm end without bucket; machine equipped with 5.9-m HD boom; 3.0-m HD arm; no bucket; and 600-mm HD triple-grouser shoes; long carriage; and 4700-kg counterweight; and situated on firm, uniform supporting surface. Total load includes weight of cables, hook, etc. Figures do not exceed 87 percent of hydraulic capacities or 75 percent of weight needed to tip machine. All capacities are based on ISO 10567.

LOAD POINT HEIGHT	HORIZONTAL DISTANCE FROM CENTERLINE OF ROTATION												Value (m)	
	1.5 m		3.0 m		4.5 m		6.0 m		7.5 m		Maximun Reach			
	Over Front	Over Side	Over Front	Over Side	Over Front	Over Side	Over Front	Over Side	Over Front	Over Side	Over Front	Over Side		
7.5 m												5090	5090	6.71
6.0 m										6060	4280	4800	4040	7.74
4.5 m							7050	5990	6180	4230	4740	3510		8.38
3.0 m					10 770	8660	8290	5710	6070	4110	4790	3250		8.71
1.5 m					13 170	8130	8310	5440	5940	3980	4710	3160		8.77
Ground Line					13 070	7950	8180	5290	5870	3890	4860	3250		8.57
-1.5 m	7690	7690	12 010	12 010	13 300	8040	8210	5280	5900	3900	5330	3550		8.09
-3.0 m	13 450	13 450	19 360	17 410	13 770	8330	8410	5420			6370	4220		7.25
-4.5 m			16 760	16 760	11 960	8840					8610	5890		5.93
Bucket Selection Guide						E240			E240LC					
Counterweight				4.7 mt			5.5 mt			4.7 mt				
Boom				5.9-m STD			5.9-m HD			5.9-m STD 5.9-m HD				
Arm				3.0-m STD			3.0-m HD			3.0-m STD 3.0-m HD				
Pin-On (no quick-coupler)	Width*	Capacity	Weight**											
General Purpose (GP)	1400 mm	1.3 m ³	1171 kg	C	B				B	B				
	1490 mm	1.4 m ³	1210 kg	D	B				B	B				
Heavy Duty (HD)	1350 mm	1.3 m ³	1380 kg	D	B				B	B				
	1430 mm	1.4 m ³	1424 kg	E	D				C	C				
	1500 mm	1.5 m ³	1462 kg	E	D				D	D				
Severe Duty (SD)	1280 mm	1.3 m ³	1461 kg	—	C				—	B				
	1370 mm	1.4 m ³	1506 kg	—	D				—	D				

*Cutting-edge width.

**Includes standard teeth, side accessories, and pins.

Contact your John Deere dealer for optimum bucket and attachment selections. These recommendations are for general conditions and average use. Does not include optional equipment such as thumbs or couplers. Larger buckets may be possible when using light materials, for flat and level operations, less compacted materials, and volume-loading applications such as mass-excavation applications in ideal conditions. Smaller buckets are recommended for adverse conditions such as off-level applications, rocks, and uneven surfaces. Bucket capacity indicated is SAE heaped.

Maximum Material Density

A = 2100 kg/m³

B = 1800 kg/m³

C = 1700 kg/m³

D = 1500 kg/m³

E = 1200 kg/m³

X = Not recommended

General-Purpose Buckets (GP):

General-Purpose buckets are provided as standard equipment and engineered to meet or exceed customer expectations in light-duty applications. These buckets are designed to dig and excavate soft to medium materials such as earth loam, sand, and fine gravel.

Heavy-Duty Buckets (HD):

Heavy-Duty buckets are provided as optional equipment and engineered to meet or exceed customer expectations in moderate-duty or mixed applications. These buckets are designed to dig and excavate in dry or wet clay, compacted soils, and well-blasted rock applications.

Severe-Duty Buckets (SD):

Severe-Duty buckets are provided as optional equipment and engineered to meet or exceed customer expectations in severe applications. These buckets are designed to dig and excavate in shot rocks, prying and tearing, caliche, and highly compacted materials. They feature additional abrasion-resistance protection.



E260 LC SPECIFICATIONS

Engine		E260LC	
Manufacturer and Model	John Deere PowerTech Plus 6068	John Deere PowerTech 6068	
Non-Road Emission Standard	China Stage 3 / similar to EPA Tier 3/EU Stage IIIA	R96 Stage II	
Gross Rated Power (SAE J1995 and ISO 3046)	144 kW at 2,000 rpm	144 kW at 2,000 rpm	
Net Rated Power (ISO 9249)	143 kW at 2,000 rpm	143 kW at 2,000 rpm	
Maximum Gross Torque (SAE J1995 and ISO 3046)	934 Nm at 1,400 rpm	934 Nm at 1,400 rpm	
Cylinders	6	6	
Piston Displacement	6.8 L	6.8 L	
Off-Level Capacity	70% (35 deg.)	70% (35 deg.)	
Cooling		Electronically controlled, variable-speed, suction-type cooling fan	
Hydraulics		Designed for high digging capacity, productivity, and operating precision, and excellent fuel economy; summation system, boom and swing priority, and boom and arm regeneration provide optimum performance	
Main Pump	Tandem variable-displacement, electrohydraulic (EH)-controlled axial-piston pumps		
Maximum Discharge Flow	2 x 234 L/m (2 x 130 cc/rev at 100% efficiency)	2 x 234 L/m (2 x 117 cc/rev at 100% efficiency)	
Pilot Pump	Gear pump		
Maximum Discharge Flow	1 x 18 L/m (1 x 10 cc/rev at 100% efficiency)	1 x 20 L/m (1 x 10 cc/rev at 100% efficiency)	
Low-Flow Auxiliary Pump	Gear pump		
Maximum Discharge Flow	1 x 40 L/m (1 x 22 cc/rev at 100% efficiency)	1 x 44 L/m (1 x 22 cc/rev at 100% efficiency)	
System Operating Pressure		Circuits	
Implement	34.3 MPa		
Travel	36.4 MPa		
Swing	25.5 MPa		
Pilot	3.9 MPa		
Auxiliary	Preset to 21.0 MPa hammer mode / 34.3 MPa 2-way mode		
Low-Flow Auxiliary	Preset to 25.0 MPa		
Pressure Boost	36.4 MPa		
Controls	Hydraulic pilot controls with hydraulic-enable lever		
Travel System		Fully hydrostatic type	
Drive Method	Fully hydrostatic type		
Travel Motor	2 speed axial-piston motor with spring-applied hydraulic-release brake		
Reduction System	Planetary gear reduction		
Maximum Drawbar Pull	228 kN		
Travel Speeds	High		
	5.7 km/h		
	Low		
	3.4 km/h		
Parking Brake	Wet, multi disc		
Cylinders		<i>Bore Diameter</i>	<i>Rod Diameter</i>
Boom (2)	135 mm	95 mm	1355 mm
Arm (1)	145 mm	105 mm	1700 mm
Bucket (1)	130 mm	90 mm	1115 mm
Swing System		Axial-piston motor with spring-applied, hydraulic-release brake	
Swing Motor	Axial-piston motor with spring-applied, hydraulic-release brake		
Swing Reduction	Planetary gear reduction		
Swing Gear Lubrication	Grease bath		
Swing Brake	Wet, multi disc		
Swing Speed	10.8 rpm		
Swing Torque	69 kNm		

While general information, pictures, and descriptions are provided, some illustrations and text may include product options and accessories NOT AVAILABLE in all regions, and in some countries products and accessories may require modifications or additions to ensure compliance with the local regulations of those countries.

E260 LC SPECIFICATIONS



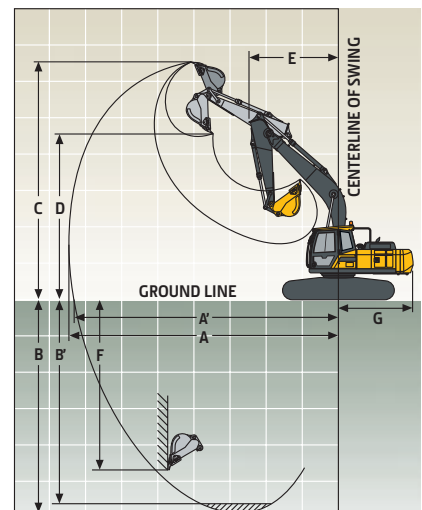
Undercarriage		E260LC
Includes lubricated rollers, idlers, track adjusters (with shock-absorbing spring), and greased and sealed track chain with triple-grouser shoes		
Center Frame	X-leg type	
Track Frame	Pentagonal box type	
Shoes (each side)	51	
Rollers (each side)		
Carrier	2	
Track	10	
Track Guides (each side)	3	
Shoe Width, Triple Grousers		
Standard	600 mm	
Option 1	600-mm heavy duty (HD)	
Option 2	800 mm HD	

Weights and Ground Pressure			
	Heavy-Duty (HD) Machine With 5.9-m HD Boom and 3.0-m HD Arm		Severe-Duty (SD) Machine With 5.9-m HD Boom and 3.0-m HD Arm
Bucket	1.5-m ³ HD		1.4-m ³ SD
Triple-Grouser Shoe Width	600-mm HD	800-mm HD	600-mm HD
Operating Weight	26 300 kg	26 900 kg	26 400 kg
Ground Pressure	52.2 kPa	40.0 kPa	52.4 kPa
Standard Counterweight	5500 kg		5500 kg

Electrical System	
Number of Batteries (24-volt system)	2 – 12 volt
Battery Capacity	950 CCA
Reserve Capacity	165 min.
Alternator Rating	80 amp

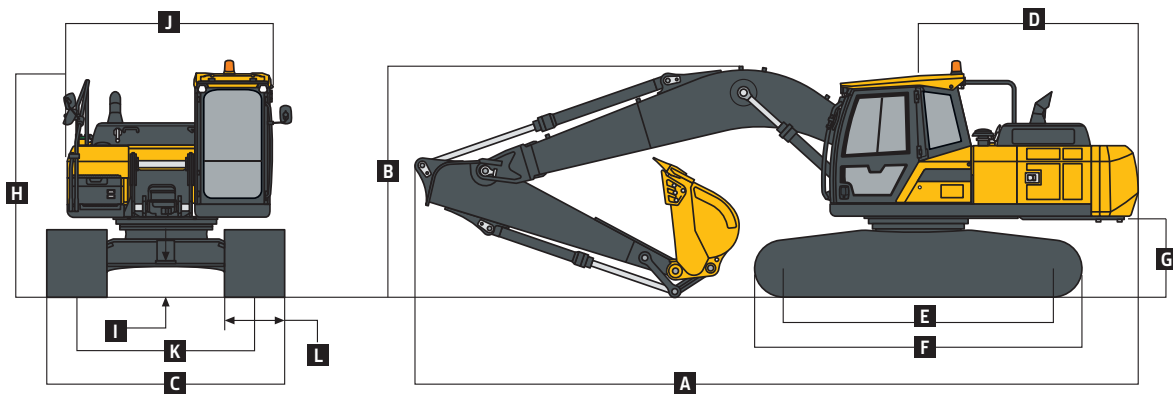
Serviceability	
Refill Capacities (standard fill)	
Fuel Tank	390 L
Engine Coolant	30 L
Engine Oil	20 L
Swing Mechanism	5.3 L
Travel Final Device (each side)	4.4 L
Hydraulic System	260 L
Hydraulic Tank	141 L

Operating Dimensions		With 5.9-m Boom and 3.0-m Arm
Tool Force		
Bucket	176 kN	
Arm	134 kN	
A Maximum Reach	10 370 mm	
A' Maximum Reach at Ground Level	10 140 mm	
B Maximum Digging Depth	7160 mm	
B' Maximum Digging Depth at 2.44-m Level Bottom	6980 mm	
C Maximum Cutting Height	9810 mm	
D Maximum Loading Height	6870 mm	
E Minimum Slew Radius	4010 mm	
F Maximum Vertical Wall Digging Depth	6200 mm	
G Tail-Swing Radius	3100 mm	



E260LC

Overall Dimensions	E260LC
	<i>With 5.9-m Boom and 3.0-m Arm</i>
A Overall Length	10 180 mm
B Overall Height	3150 mm
B' Overall Height With Boom Plumbing	3346 mm
C Overall Width (over tracks)	3200 mm
D Tail Length	3035 mm
D' Tail-Swing Radius	3100 mm
E Tumbler Distance	3837 mm
F Overall Length of Crawler	4643 mm
G Counterweight Clearance	1090 mm
H Overall Height (to top of cab)	3027 mm
I Ground Clearance	445 mm
J Overall Width of Upperstructure	2710 mm
K Track Gauge	2600 mm
L Shoe Width	600 mm



E260LC Heavy-Duty (HD) Machine Lift Capacities

Boldface type indicates stability-limited capacity; lightface type indicates hydraulically limited capacities, in kg. Lifting capacity at the arm end without bucket; machine equipped with 5.9-m HD boom; 3.0-m HD arm; no bucket; and 600-mm HD triple-grouser shoes; long carriage; and 5500-kg counterweight; and situated on firm, uniform supporting surface. Total load includes weight of cables, hook, etc. Figures do not exceed 87 percent of hydraulic capacities or 75 percent of weight needed to tip machine. All capacities are based on ISO 10567.

LOAD POINT HEIGHT	HORIZONTAL DISTANCE FROM CENTERLINE OF ROTATION										Maximun Reach		Value (m)	
	1.5 m		3.0 m		4.5 m		6.0 m		7.5 m		Over Front	Over Side		
	Over Front	Over Side	Over Front	Over Side	Over Front	Over Side	Over Front	Over Side	Over Front	Over Side	Over Front	Over Side		
7.5 m												5090	5090	6.71
6.0 m										6060	4660	4800	4400	7.74
4.5 m							7050	6500	6580	4610	4740	3840	8.38	
3.0 m					10 770	9400	8290	6220	6550	4490	4870	3570	8.71	
1.5 m					13 170	8890	8980	5960	6430	4370	5100	3490	8.77	
Ground Line					14 130	8720	8850	5810	6370	4290	5270	3580	8.57	
-1.5 m	7690	7690	12 010	12 010	14 380	8830	8890	5810	6400	4300	5780	3910	8.09	
-3.0 m	13 450	13 450	19 360	19 010	13 980	9130	9100	5950			6900	4640	7.25	
-4.5 m			16 760	16 760	11 960	9660					8610	6440	5.93	

While general information, pictures, and descriptions are provided, some illustrations and text may include product options and accessories NOT AVAILABLE in all regions, and in some countries products and accessories may require modifications or additions to ensure compliance with the local regulations of those countries.

Bucket Selection Guide		E260LC			
Counterweight				5.5 mt	
Boom				5.9-m STD	5.9-m HD
Arm				3.0-m STD	3.0-m HD
	Width*	Capacity	Weight**		
Pin-On (no quick-coupler)					
General Purpose (GP)	1400 mm	1.3 m ³	1171 kg	A	A
	1490 mm	1.4 m ³	1210 kg	A	A
Heavy Duty (HD)	1350 mm	1.3 m ³	1380 kg	A	A
	1430 mm	1.4 m ³	1424 kg	B	B
Severe Duty (SD)	1500 mm	1.5 m ³	1462 kg	B	B
	1280 mm	1.3 m ³	1461 kg	—	A
	1370 mm	1.4 m ³	1506 kg	—	B

*Cutting-edge width.

**Includes standard teeth, side accessories, and pins.

Contact your John Deere dealer for optimum bucket and attachment selections. These recommendations are for general conditions and average use. Does not include optional equipment such as thumbs or couplers. Larger buckets may be possible when using light materials, for flat and level operations, less compacted materials, and volume-loading applications such as mass-excavation applications in ideal conditions. Smaller buckets are recommended for adverse conditions such as off-level applications, rocks, and uneven surfaces. Bucket capacity indicated is SAE heaped.

Maximum Material Density

A = 2100 kg/m³

B = 1800 kg/m³

C = 1700 kg/m³

D = 1500 kg/m³

E = 1200 kg/m³

X = Not recommended

General-Purpose Buckets (GP):

General-Purpose buckets are provided as standard equipment and engineered to meet or exceed customer expectations in light-duty applications. These buckets are designed to dig and excavate soft to medium materials such as earth loam, sand, and fine gravel.

Heavy-Duty Buckets (HD):

Heavy-Duty buckets are provided as optional equipment and engineered to meet or exceed customer expectations in moderate-duty or mixed applications. These buckets are designed to dig and excavate in dry or wet clay, compacted soils, and well-blasted rock applications.

Severe-Duty Buckets (SD):

Severe-Duty buckets are provided as optional equipment and engineered to meet or exceed customer expectations in severe applications. These buckets are designed to dig and excavate in shot rocks, prying and tearing, caliche, and highly compacted materials. They feature additional abrasion-resistance protection.

Additional equipment

Key: ● Standard ▲ Optional or special

See your John Deere dealer for further information.

E210	E230	E240	E260	Engine
●	●	●	●	Programmable auto-idle system
●	●	●	●	Automatic belt-tension device
●	●	●	●	Pressurized coolant reservoir
●	●	●	●	3-stage, dual-element, dry-type air filter with integral precleaner
▲	▲	▲	▲	Additional air-intake precleaner
●	●	●	●	Electronic engine control
●	●	●	●	Enclosed cooling fan
●	●	●	●	Side-by-side arrangement of coolers
●	●	●	●	Swing-out air-conditioning condenser and fuel cooler
▲	▲	▲	▲	Separate removable trash screen
●	●	●	●	Engine coolant to -40 deg. C
●	●	●	●	Turbo cool-down mode
●	●	●	●	Remote-mounted dual fuel filters with water separator and drain
●	●	●	●	Remote-mounted severe-duty fuel filter with water separator and drain
●	●	●	●	Fuel system shutoff for filters
●	●	●	●	Remote fuel-tank drain
▲	▲	▲	▲	Fuel filter heater
▲	▲	▲	▲	Onboard refueling pump (50 L/m) with auto shutoff and run-dry prevention
●	●	●	●	Remote-mounted full-flow engine oil filter
●	●	●	●	500-hour engine-oil-change interval
●	●	●	●	Turbocharger with charge-air cooler
●	●	●	●	Engine-mounted direct-drive cooling fan
●	●	●	●	Cool-on-demand electronically controlled variable-speed fan (destination specific)
●	●	●	●	70% (35 deg.) off-level capability
●	●	●	●	Glow-plug cold-start aid
●	●	●	●	Lockable fuel cap provision
●	●	●	●	Fuel overflow indicator in filler neck
●	●	●	●	Fuel tank cleanout access cover
●	●	●	●	Ultra-low-sulfur-compatible fuel system
				Hydraulic System
●	●	●	●	Electrohydraulic-controlled hydraulic pump
●	●	●	●	Thermostatic hydraulic warm-up control
●	●	●	●	Auto pressure-boost
●	●	●	●	Constant pressure boost in lift mode
●	●	●	●	4,000-hour hydraulic-oil-change interval
●	●	●	●	Hydraulic filter-restriction indicator
●	●	●	●	Reduced-drift valve for boom down
●	●	●	●	Reduced-drift valve for arm in
●	●	●	●	Auxiliary hydraulic valve section
▲	▲	▲	▲	Auxiliary pilot and electric controls
▲	▲	▲	▲	Auxiliary hydraulic-flow adjustments through monitor
▲	▲	▲	▲	Hammer merge-flow capability
▲	▲	▲	▲	Proportional low-flow auxiliary
●	●	●	●	Boom- and arm-flow regeneration
●	●	●	●	Swing anti-rebound valves
●	●	●	●	Spring-applied, hydraulically released automatic swing brake
				Undercarriage
●	●	●	●	Planetary drive with axial-piston motors
●	●	●	●	Propel motor shields
●	●	●	●	Spring-applied, hydraulically released automatic parking brake
▲				Track guides, front idler and 1 additional
▲	●	▲		Track guides, front idler and 2 additional

E210	E230	E240	E260	Undercarriage (continued)
		▲	●	Track guides, front idler and 3 additional
▲	▲	▲	▲	Full-length rock guard
●	●	●	●	2-speed propel with automatic shift
●	●	●	●	Upper carrier rollers (2)
▲				Heavy-duty (HD) track roller (7)
▲	▲			HD track roller (8)
	●	▲		HD track roller (9)
			●	HD track roller (10)
●	●	●	●	HD sealed and lubricated track chain
▲				Triple-grouser shoes, 500 mm
●		●		Triple-grouser shoes, 600 mm
▲	●	▲	●	HD triple-grouser shoes, 600 mm
▲	▲	▲	▲	HD triple-grouser shoes, 800 mm
▲	▲	▲	▲	General-duty (GD) undercarriage frame bottom guard
				Upper Structure
●	●	●	●	Right- and left-hand mirrors
▲	▲	▲	▲	Rearview camera
●	●	●	●	Integrated anti-skid plates on upper platform and steps
●	●	●	●	Vandal locks with common key: Cab door / Service doors / Toolbox
●	●	●	●	Air-intake debris screen in side doors
				Operator's Station
●	●	●	●	Auto climate control and pressurized cab
●	●	●	●	Built-in operator's manual storage
●	●	●	●	Easy-clean floor mat
●	●	●	●	Front upper laminated glass with easy storage into roof space
●	●	●	●	Sliding openable upper door glass
●	●	●	●	Front (park-off-glass) windshield wiper with intermittent speeds and washer
▲	▲	▲	▲	Lower windshield wiper with intermittent speeds and washer
●	●	●	●	Horn
●	●	●	●	Hydraulic shutoff lever, all controls
●	●	●	●	Interior light
●	●	●	●	Sealed-switch module (SSM) with keyless start
●	●	●	●	Machine Information Center (MIC)
●	●	●	●	Mode selector (via throttle): Power modes (3) + High Power mode in all speeds / Travel speeds (2 with auto shift) / Work modes (3)
●	●	●	●	Multifunction, 7-in. color touchscreen with: Advanced machine diagnostics with multi-language capability, theft-deterrent system, maintenance tracking, digital display, alarm indicator, alternator, low charge, auto-idle, auxiliary hydraulics, clock, engine air-cleaner restriction, engine coolant temperature, engine oil pressure, engine preheat, engine rpm, fault- code alert, fuel level, fuel-rate display, water in fuel, hourmeter, work-mode indicator, travel alarm (option), travel-mode indicator, hydraulic oil-filter restriction, hydraulic oil temperature, pressure boost, seat-belt warning, telematics, camera (option), and HVAC status
▲	▲	▲	▲	Travel alarm with cancel switch
▲	▲	▲	▲	Auxiliary hydraulic control switches in right and left control levers
▲	▲	▲	▲	Rear camera toggle switch in left control lever
●	●	●	●	Tinted glass
▲	▲	▲	▲	Transparent tinted overhead hatch
●	●	●	●	Steel overhead hatch

E210	E230	E240	E260	Operator's Station (continued)
●	●	●	●	Rollover Protection Structure (ROPS)-certified cab (conforms to ISO 12117-2)
●	●	●	●	Safety bars on right-hand glass
▲	▲	▲	▲	Falling Object Protection Structure (FOPS level-II)-certified guards, top and front
▲	▲	▲	▲	Front lower window guard
▲	▲	▲	▲	Front window sunshade
▲	▲	▲	▲	Hatch sunshade
●	●	●	●	Coat hook
●	●	●	●	Fire extinguisher-mounting location
●	●	●	●	Automatic Temperature Control (ATC) system with manual override and adjustable louvers
▲	▲	▲	▲	Single-hammer auxiliary pedal
▲	▲	▲	▲	2-way auxiliary pedal
●	●	●	●	Standard lighting package, including 2 on boom and 1 in toolbox
▲	▲	▲	▲	Premium high-intensity LED lighting package including 4 additional cab-roof lights
●	●	●	●	AM/FM radio with USB input
▲	▲	▲	▲	Premium radio with auxiliary/USB port and Bluetooth connectivity for audio streaming
▲	▲	▲	▲	Rotating/strobe beacon
●	●	●	●	Storage compartment and multiple cupholders including oversized bottle holder
●	●	●	●	24-volt power port
▲	▲	▲	▲	12-volt power port
▲	▲	▲	▲	Rearview camera
●	●	●	●	Mechanical suspension operator seat with cloth trim, 170-kg capacity, and 50-mm orange retractable seat belt
▲	▲	▲	▲	Premium air-suspension heated seat leather trim with lumbar adjustment, 200-kg capacity, and 75-mm orange retractable seat belt
▲	▲	▲	▲	Front rain visor
				Front Equipment
●	●	●	●	Centralized lubrication for boom points
●	●	●	●	Dirt seals on all bucket pins
●	●	●	●	Hardened steel bushes with chrome pins
●	●	●	●	Reinforced resin thrust washers
▲	▲			GD boom, 5.68 m
▲	▲			HD boom, 5.68 m
		▲	▲	GD boom, 5.9 m
		▲	▲	HD boom, 5.9 m
▲	▲			GD arm, 2.9 m
▲	▲			HD arm, 2.9 m
		▲	▲	GD arm, 3.0 m
		▲	▲	HD arm, 3.0 m
▲	▲	▲	▲	Less boom and arm
▲	▲	▲	▲	Boom cylinder hose-burst valves
▲	▲	▲	▲	Boom and arm cylinder hose-burst valves
				Electrical
●	●	●	●	Batteries (2 - 12 volt)
●	●	●	●	100-amp alternator
●	●	●	●	Blade-type multi-fused circuits
●	●	●	●	Positive- and negative-terminal battery covers
●	●	●	●	Environmental protection full battery cover
▲	▲	▲	▲	JDLink wireless communication system
▲	▲	▲	▲	JDInsight wireless communication system



While general information, pictures, and descriptions are provided, some illustrations and text may include product options and accessories NOT AVAILABLE in all regions, and in some countries products and accessories may require modifications or additions to ensure compliance with the local regulations of those countries.