



YANMAR

CRAWLER CARRIER

C12R-B

[Gross] 7.7kW <10.4hp>



* The machine in the picture is equipped with optional parts.

A compact carrier perfect for narrow worksites. Brimming with outstanding power, this little carrier is capable of loading 990 kg.

This unit has a slim, compact and sturdy body which can be used roughly. The compact carrier can enter into narrow spaces and shows outstanding loading capacity at various worksites. It can be used to transport materials like earth, sand, blocks, garden stones, and potted plants in civil engineering, construction, and landscaping projects.

Easy to unload typically equipped with a hydraulic dump bed

Despite appearances, has a large load capacity of 990 kg dump bed with a thickness of 4.5 mm at the bottom

Automatic transmission lever to reverse or move forward

Center operation seat where the operator can work comfortably and have good visibility

Strong multi-purpose guard R-type rear frame

A full opening bonnet for easy maintenance

Side dump type that allow the operator to dump materials on both right and left sides (optional)





Sturdy structure with excellent durability

Sturdy 3.2 mm thick flap brace

One pedal to operate the carrier as if it is a passenger vehicle

A 4.5 mm thick truck frame

Bearings with solid oil used in the bottom rollers

* Pictures shown are for illustration purpose only. * The images shown here are for promotional purposes.

* The image may differ from the actual model on sale. * When you leave the operator's seat, be sure to lower the dump bed and place the lock levers in the lock position.

A compact carrier with a classic design. This little machine is up for any challenge.

A town carrier which is easy-to-use and full of power.

In addition to the excellent transport facilities and easy access to narrow spaces, improved durability, easy maintenance, and environment performance contribute to increasing efficiency and comfort in operations any narrow place.

● Can easily access narrow work-sites Slim & compact design

The machine can easily access narrow spaces with its 950 mm slim body. This compact machine also has enhanced turning capabilities in narrow spaces with its 2570 mm height and R-type rear frame.



● Rugged Loading Platform

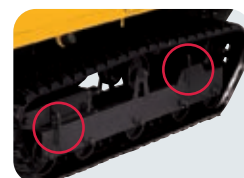
Floor plate thickness: 4.5 mm
Gate post thickness: 3.2 mm

It's sturdy structure is another feature that makes this machine very durable.



● Equipped with 3 hooks to hang ropes when loading it into a truck

The vehicle frame can be firmly fixed in place using 4 hooks provided in the track frame when loading it onto a truck. While safely transporting the machine, this also protects the truck frame from shock caused by vibrations during.



● Equipped with 3 suspension hooks for lifting operations

This machine is equipped with suspension hooks for lifting materials using the 3-point suspension method.





● Comes equipped with foldable ROPS* bar and seatbelt

These features on the YANMAR C12R-B reduce risk and improve safety for operators when they operate the machine on slopes, soft terrains, and other potentially hazardous worksites.



● Foldable ROPS* bar

The ROPS bar can be folded by removing a pin, allowing the vehicle to access areas with height restrictions.

* Do not fold the ROPS bar while the machine is in operation.



● Forward / Reverse Lever

Use the lever to move backwards or forwards, and to operate the machine safely and accurately.



● Equipped with an eco-friendly and silent engine

Equipped with a diesel engine which has a water-cooled 4-cycle mechanism compliant with the strict regulations (Europe), the machine has powerful operation performance and low-noise levels of Class No. 1.

* Based on YANMAR's measurement method.



● Travel pedal (Right side)

Run by using the pedal at the operator's feet.



Engine model
2TE67L-FW3

Engine output
7.7kW

* Picture of engine shown for illustration purpose only.

* The machine may differ to the model on sale. * The machine in the photo is for catalog purposes.

* When you leave the operator's seat, be sure to lower the dump bed and place the lock levers in the lock position.

* ROPS: Roll-Over Protective Structure(A structure to protect the operator wearing a seat belt, in case the machine rolls over)

- **Has a dump bed for the easy transport of materials**

The perfect long-shaped dump bed makes it easy to transport long materials.



- **Equipped with an easy-to-unload hydraulic dump bed**

Easy to operate as the dump bed can be easily raised or lowered with hydraulics.



- **Open around the operator's seat**

The maintenance of the engine, wiring, and hydraulic parts is easy as the cover in front of the operator's seat can be fully opened.



- **Operators have good visibility and can easily use the console from the center operation seat**

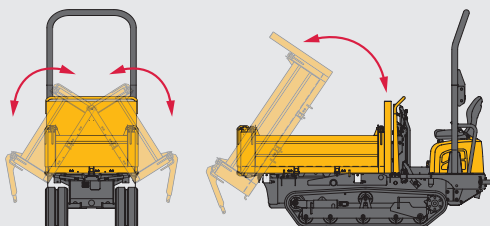
The operator drives the carrier from the center of the vehicle frame, giving the operator an unobstructed view on all sides. Further, the operator can easily get in or out of the carrier from either side with the walk-through type semi-flat deck, making it very comfortable.



Other optional features to meet your needs

- **Side dump bed type in which the carrier can dump materials on either sides (option)**

The machine works satisfactorily in narrow spaces and even with inexperienced operators at the wheel as it is possible to dump materials in three directions by switching the position of the pin. This further reduces the unnecessary operation of the machine, and prevents the early wear of the crawler.



* The images shown here are for promotional purposes. * The image may differ from the actual model on sale.
 * When you leave the operator's seat, be sure to lower the dump bed and place the lock levers in the lock position.

The Unsung Heroes Who Build Our Towns And Cities

You build the infrastructure and the foundations in our towns and cities.

Transforming the places where we stand today, into dreams of tomorrow.

You are the unsung hero.

The YANMAR mission is to provide machines and services that allow you to reach your full potential.

Built tough and with comfort in mind.

YANMAR construction equipment will help you get the job done with ease, regardless of the worksite.

When we make machines, we are dedicated to enabling you to perform at your best all of the time.

One example of this is our innovative True Zero Tail Swing Excavators that set the standard for safety and reliability, enabling operators to perform at their best in tight quarters. Yanmar was also the first to make compact diesel engines, and today we continue to make diesel engines ranging from

YANMAR also manufactured the first compact diesel engines

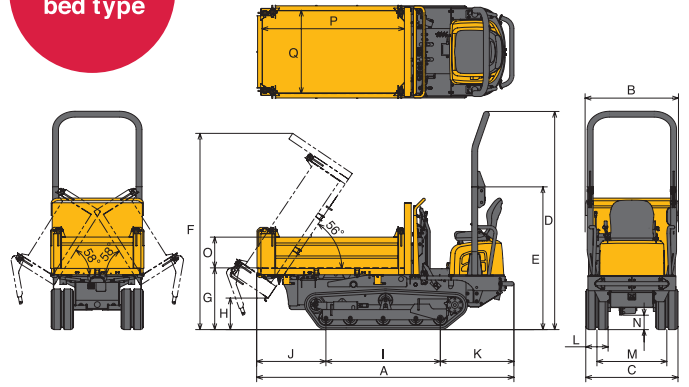
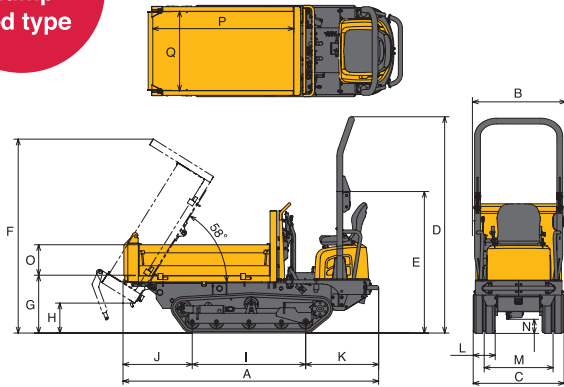
and today we continue to make diesel engines ranging from 4 to 4,800 kW.

Equipped with advanced engines and hydraulic systems, our construction equipment delivers better fuel economy, increased productivity and enhanced operation.

YANMAR is the driving force behind the unsung hero.

BEST PERFORMANCE BY YOUR SIDE

Dimensions (Unit : mm)



(Unit:mm<ft-in>)

	A	B	C	D	E	F	G	H	I	J	K	L	M	N	O	P	Q
Standard type	2650 <8'8">	950 <3'1">	950 <3'1">	2250 <7'5">	1470 <4'10">	2015 <6'7">	600 <1'11">	310 <10">	1180 <3'10">	710 <2'4">	760 <2'6">	230 <9">	720 <2'4">	150 <6">	320 <1'11">	1470 <4'10">	830 <2'8">
Side dump type	2650 <8'8">	960 <3'2">	950 <3'1">	2250 <7'5">	1470 <4'10">	2025 <6'8">	635 <2'1">	325 <1'11">	1180 <3'10">	710 <2'4">	760 <2'6">	230 <9">	720 <2'4">	150 <6">	315 <1'10">	1470 <4'10">	860 <2'10">

Specifications

Model	C12R-B																																																											
Carrier Type	Standard dump bed type								Side dump bed type																																																			
Operating Weight	Net, Unloaded kg <lbs>								1010 <2227>				1100 <2426>																																															
Engine	Type																	Vertical 2 cylinder, water-cooled diesel																																										
	Model																	2TE67L-FW3																																										
	Rated Output/ Revs																	kW<hp>/rpm																	7.7 <10.4> / 2800																									
Transmission	Hydrostatic & Reduction gear																																																											
Under Carriage	Crawler Width																	mm <in>																	230 <9.06>																									
	Min. Ground Clearance																	mm <in>																	150 <5.91>																									
	Ground Contact Pressure																	w/o load																	kPa <PSI>								18.2 <2.65>									19.9 <2.88>								
																		w/ load																	kPa <PSI>								39.0 <5.66>									40.7 <5.89>								
Brake	Service Brake																	Type																	Mechanical wet multiple disk																									
																		Operation																	Pedal, mechanical																									
	Parking Brake																	Type																	Common with service brake																									
																		Operation																	Lever, pedal lock																									
Performance	Max. Payload																	kg <lbs>																	1150 <2540>																									
	Dumping Angle																	Rear																	degrees								58									56								
																		Side																	degrees								—									58								
	Dump Clearance at Rear Dump																	mm <in>																	310 <1'>								325 <1'1">																	
	Dump bed Capacity																	Struck																	m ³ <cu.ft.>								0.040 <1.41>																	
																		Heaped																	m ³ <cu.ft.>								0.52 <18.4>																	
Travel Speed																	Forward																	km/h <MPH>								0 - 5.5 <0 - 3.4>																		
																	Reverse																	km/h <MPH>								0 - 5.5 <0 - 3.4>																		
Hydraulic System For Dump	Pump																	Gear																																										
	Control Valve																	Single spool																																										
Fuel tank capacity	L <Gals>																	14.5 <3.83>																																										

YANMAR CONSTRUCTION EQUIPMENT CO., LTD.

Promotion Group
 Sales Planning Dept.
 Marketing & Sales Dept.
 1717-1, Oaza Kumano, Chikugo, Fukuoka 833-0055, Japan
 TEL. +81-942-70-8992
 FAX +81-942-53-6855
 yanmar.com

All data subject to change without notice.